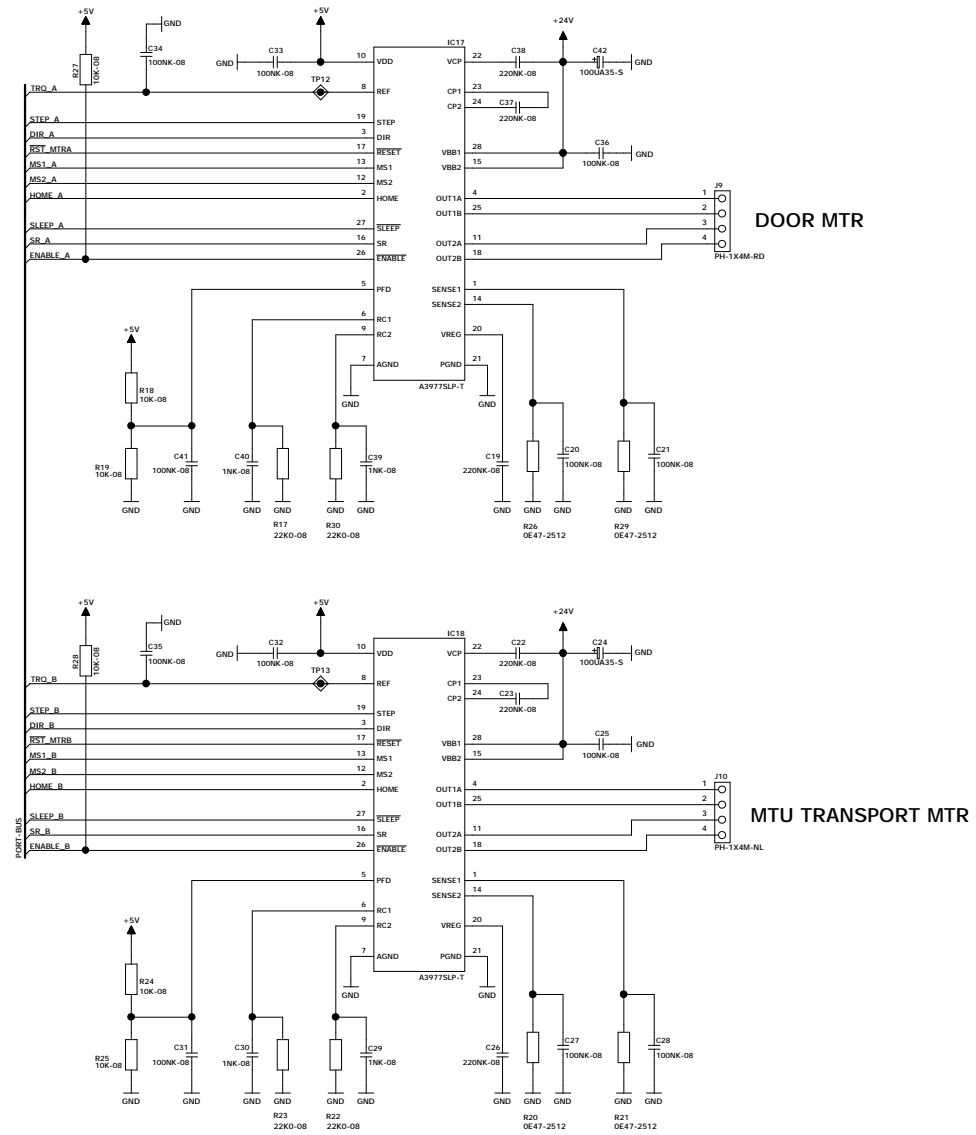


Schutzvermerk nach DIN 34 beachten
COPYRIGHT BY STRATEC Biomedical Systems AG

STRATEC Biomedical Systems AG			
Title: Luminometer OLV CU PCB		Sheet: PROCESSOR	
Ident No: 11000859	File: 11000859_01.sch	Sheet No.: 1 of 4	
PCB No: 2094-0-0	Size: A2	19.01.2005	Date: 2009-01-19 Rev: 1



1

2

3

4

5

6

A

B

C

D

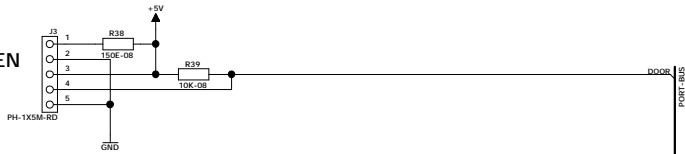
A

B

C

D

DOOR OPEN SENSOR



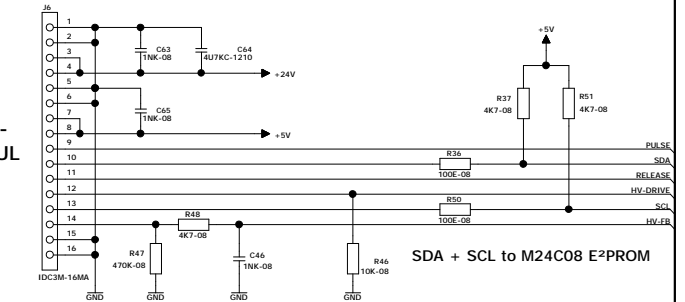
MTU TRANSPORT HOME



SHUTTER OPEN SENSOR

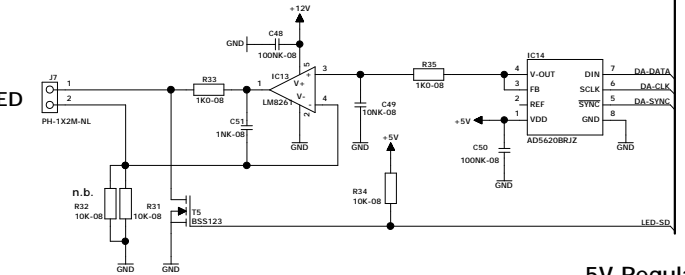


PMT-MODUL

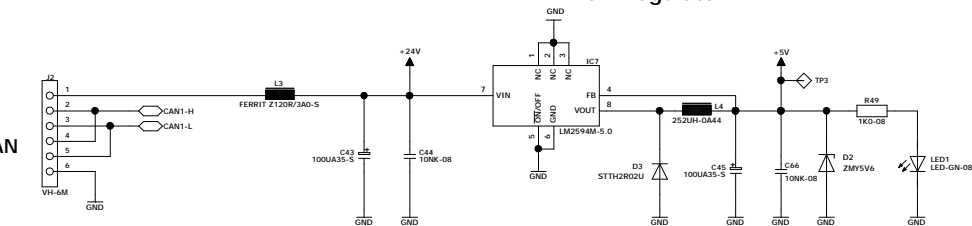


SDA + SCL to M24C08 E2PROM

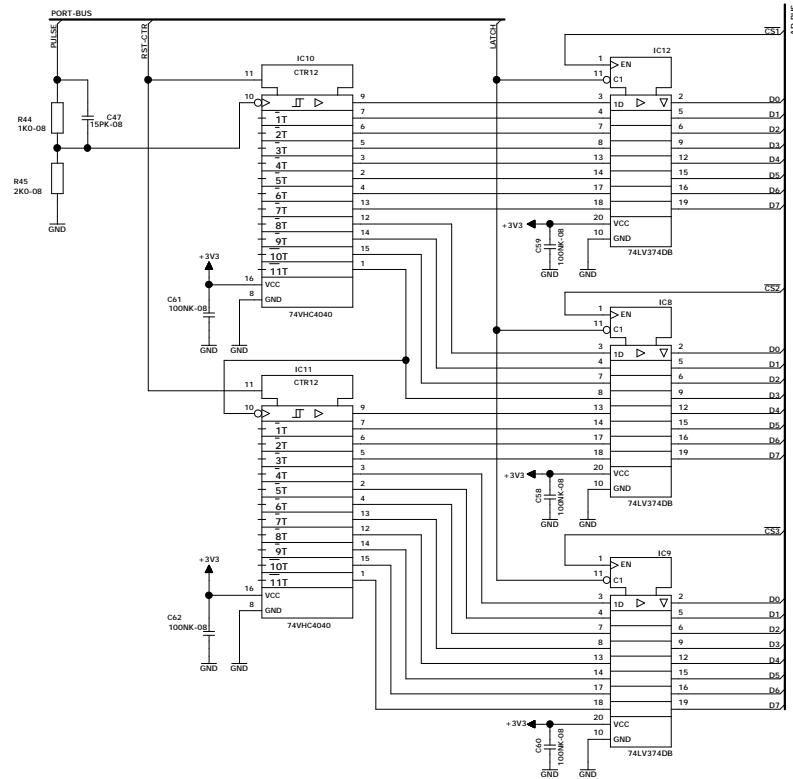
LED



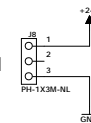
5V Regulator



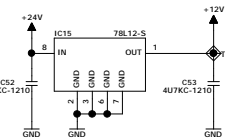
24BIT COUNTER UNIT



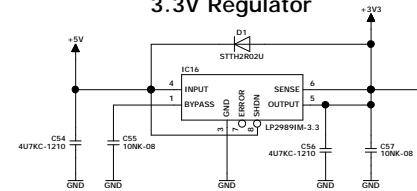
FAN



12V Regulator



3.3V Regulator



1

2

3

4

5

6

STRATEC Biomedical Systems AG			
Title: Luminometer OLV CU PCB		Sheet: PWR-SUPPLY	
Ident No: 11000859		File: 11000859_01.sch	
PCB No: 2094-0-0		Date: 2009-01-19	
Size: A2		Rev: 1	

